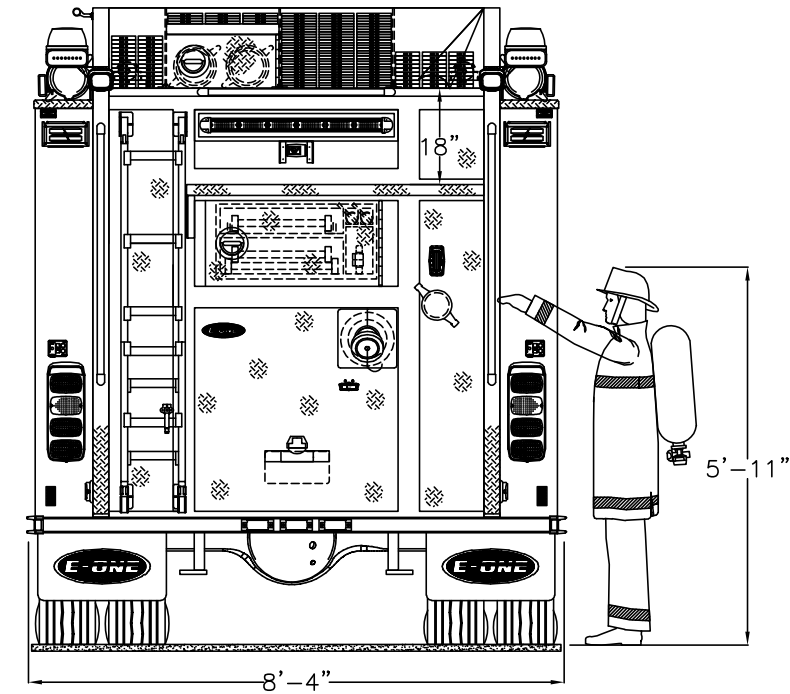
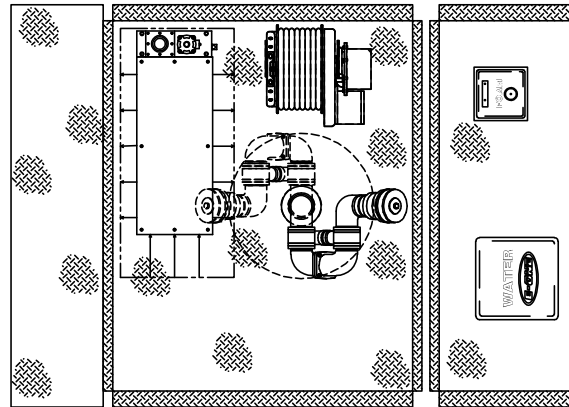


TOWNSHIP OF FRANKLIN
FRANKLINVILLE, NJ
S.O. 145877/Q98203
CUSTOM TANDEM TANKER
E-ONE TYPHOON 6X4 CHASSIS

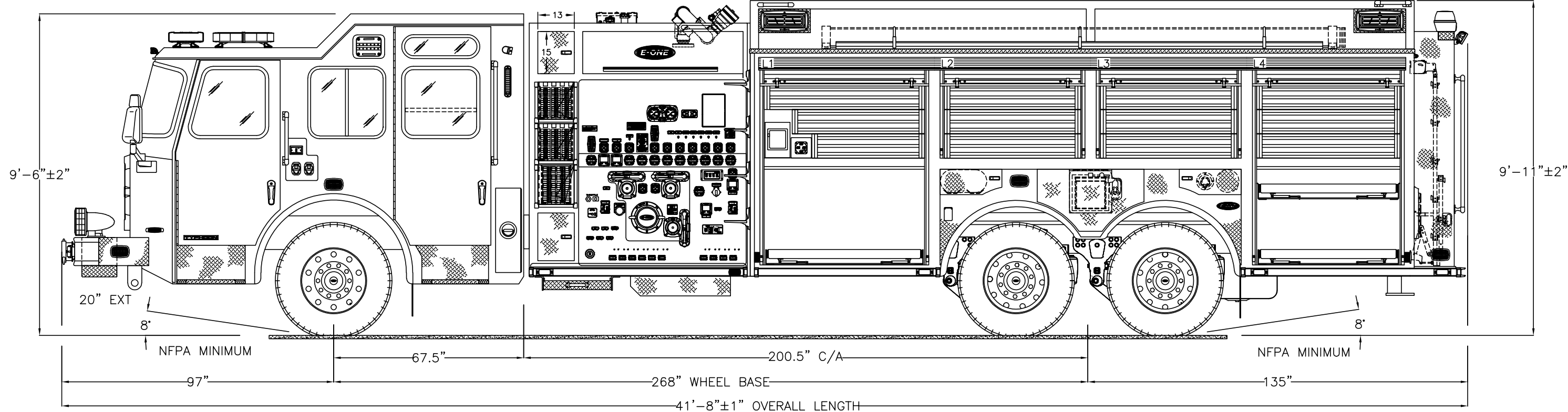
2000 GPM HALE QMAX PUMP		HOSE LOAD:			
2500 GALLON WATER TANK		400' OF 2.50" DJ			
30 GALLON INTEGRAL "A" FOAM CELL		1100' OF 4.00" LDH			
		400' OF 2.50" DJ			
L1/R1	58W	63H	60W	25H	12D UPPER
L2/L3	49W	25H	60W	34H	26D LOWER
R2/R3	49W	25H	51W	25H	12D
L4/R4	52W	63H	54W	25H	12D UPPER
			54W	34H	26D LOWER

THIS DRAWING IS FOR REFERENCE PURPOSES. ALL DIMENSIONS ARE SUBJECT TO MINOR VARIATIONS DUE TO MANUFACTURING PROCESSES.

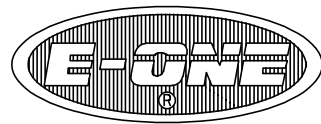
This print is the property of E-ONE, Inc. and is loaned to you subject to return on demand, unless otherwise agreed to in writing by E-ONE, Inc. Its contents are confidential and must not be copied or submitted to third parties for use or examination.



HOSEBED HEIGHT:
 (FOR REFERENCE ONLY)
 TO TAILBOARD: 80"
 TO GROUND: 104"



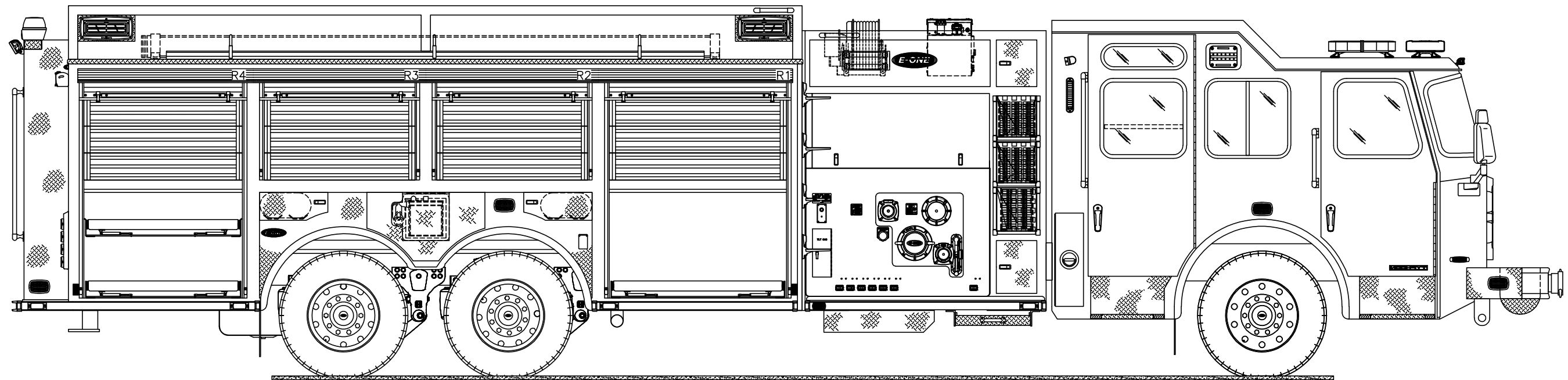
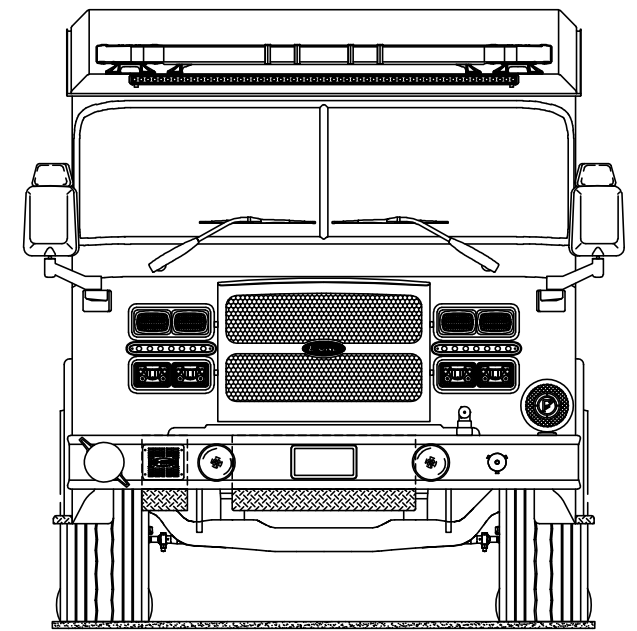
DR02MAN	A-2	ORDER REVIEW 2	2022-AUG-04	DR02MAN
DRAWN BY	REV	DESCRIPTION	DATE	APPROVED
		APPROVAL REVISIONS		SHEET 1 OF 2



TOWNSHIP OF FRANKLIN
FRANKLINVILLE, NJ
S.O. 145877/ Q98203
CUSTOM TANDEM TANKER
E-ONE TYPHOON 6X4 CHASSIS

THIS DRAWING IS FOR REFERENCE PURPOSES. ALL DIMENSIONS ARE SUBJECT TO MINOR VARIATIONS DUE TO MANUFACTURING PROCESSES.

This print is the property of E-ONE, Inc. and is loaned to you subject to return on demand, unless otherwise agreed to in writing by E-ONE, Inc. Its contents are confidential and must not be copied or submitted to third parties for use or examination.



DRAWN BY	REV	DESCRIPTION	DATE	APPROVED
DRCDMAN	A.2	ORDER REVIEW 2	2022-AUG-04	DRCDMAN
APPROVAL REVISIONS				